

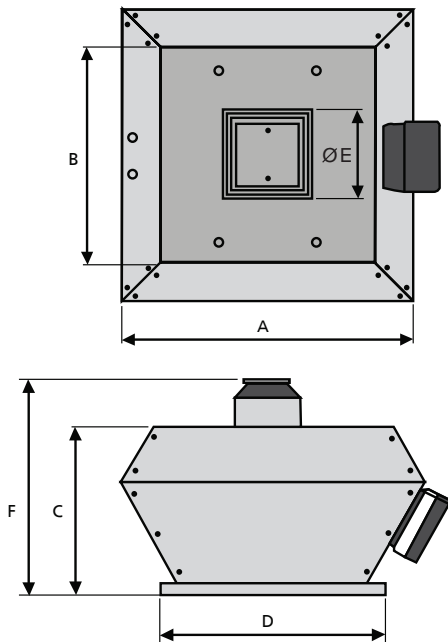
# SRF

**VERTICAL SHOOTING  
EXTERNAL MOTOR  
RADIAL ROOF FANS**



TYPE	FAN MODEL	VOLTAGE	FREKANS	POWER		CURRENT	SPEED	AIR FLOW	SOUND
		V	Hz	HP	KW	(A)		r.p.m	m <sup>3</sup> /h
SRF - 280	315	230380/	50	13/	0,25	0,81	1400	1200	48
SRF - 315	355	230380/	50	1,2	0,37	1,15	1400	1900	50
SRF - 355	400	230380/	50	34/	0,55	1,60	1400	2850	51
SRF - 400	450	230380/	50	1	0,75	2,10	1400	4000	53
SRF - 450	500	230380/	50	1,5	1,10	2,60	1400	5300	55
SRF - 500	560	230380/	50	2	1,5	3,50	1400	8000	56
SRF - 560	630	230380/	50	3	2,2	5,00	1400	10500	60

⚠ Please contact for Ex-Proof motor or stainless steel models.  
Please contact for F300 or F400 C/2h heat resistant motor.  
Note: The motor is resistant to 110°C, except for airflow.



	A	B	C	D	ØE	F
<b>SRF</b>	560	450	340	510	207	470
	750	610	365	600	233	510
	750	610	415	600	256	565
	900	750	465	670	287	630
	930	780	455	700	320	660
	1200	960	555	950	362	780
	1200	960	555	950	430	780